

US Patent No. D642,327; D650,518; and 8,348,476

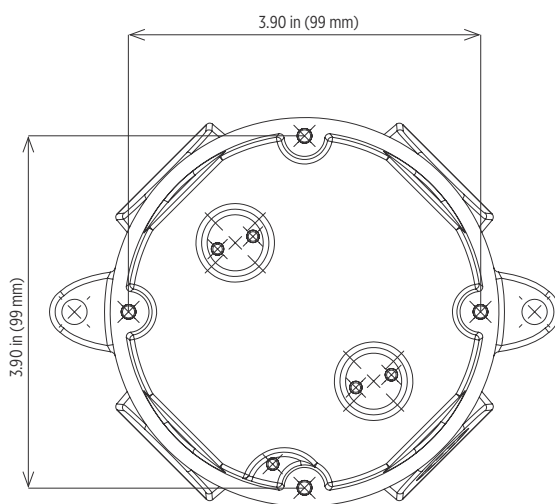
Provides a simple option for LED upgrade
Compatible with existing Phoenix Metallic VP fixtures

UL rated for wet locations

LED technology increases efficiency, eliminates maintenance and supports green initiatives



Dimensions



Customer-provided junction box must accommodate dimensions shown

Specifications

Construction	Ultra-low copper content, marine grade aluminum Long-life silicone gaskets
Globes	Frosted heat treated glass Prismatic glass, polycarbonate and color heat treated glass globe accessories Red, blue, green, amber and opal
Guard	All fixtures come with a guard. Guards may be discarded if not needed. Ultra-low copper content, marine grade aluminum
Hardware	Marine grade (316) stainless steel external hardware
Light source	Bridgelux LED array 17W, 1336 lumens Cool white (5600K) and warm white (3000K) options Sealed in optically clear silicone 50,000 hour rated life
Power source	100-277V, 50-60 Hz 0-10V dimming - standard Class 2 rated driver - standard Fully potted Over-voltage, over-current and short-circuit protection with auto recovery
Ambient operating temperature	-30°C to +40°C
Ambient storage temperature	-40°C to +40°C
Mounting	Retrofits to wall or ceiling mount junction box already installed
Weight	Aluminum - 1.8 lb (0.8 kg) Add approximately 1.0 lb to each for shipping weight
Warranty	5 years

For IES files, see website or contact factory

Compliances

- UL Listed to:
- UL 1598 Suitable for Wet Locations
 - UL 1598A Marine Outside Type (Saltwater)
 - UL 1598C LED Retrofit Conversion
- IP66 rated
ABS



Meets the requirements of the
Buy American Act (BAA) and/or the
American Recovery and Reinvestment Act (ARRA)



Metallic LED VP Retrofit

Vaporproof Retrofit Kit

PHOENIX[®]
DURABILITY X DESIGN™

Ordering Information

Example: VAR-17LED-CW-FGC

Fixture	Wattage/Type	Color Temperature	Globes ¹
VAR	17LED	CW WW	FGC

Fixture	Wattage/Type	Color Temperature	Globes ¹
VAR Aluminum	17LED 17W	CW Cool white, 5600K WW Warm white, 3000K	FGC ² Frosted heat treated glass - standard

Notes

- 1 Color variations may occur depending on the color temperature of the LED
- 2 Standard with frosted heat treated glass (FGC). For other globe options, order from accessory list below as a separate line item.

Special Projects: We may be able to accommodate your special projects, so please don't hesitate to ask about additional options. Minimum order quantities and/or extended lead times will apply. Contact your Phoenix representative with specific inquiries.

Accessories (order separately)

Globe Kit

FGC	Frosted clear heat treated glass
GHA	Frosted amber heat treated glass
GHB	Frosted blue heat treated glass
GHC	Clear heat treated glass
GHG	Frosted green heat treated glass
GHO	Opal heat treated glass
GHR	Frosted red heat treated glass
GPC	Clear prismatic glass
PPA	Amber polycarbonate prismatic - to be used without guard
PPC	Clear polycarbonate prismatic - to be used without guard

Product design and specifications are subject to change without notice. The most current version of this specification sheet can be found on our website: www.phoenixlighting.com.