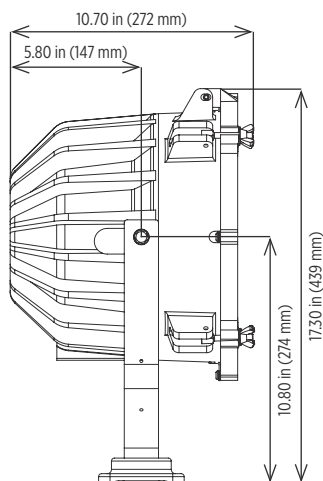
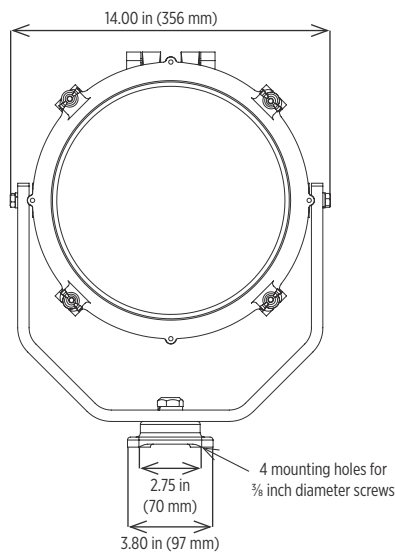




Super-rough service floodlight rated for wet locations
Designed to withstand the most extreme shock and vibration
For use in above-deck marine applications, industrial areas and other demanding environments

Dimensions

MRS 64/1000



Specifications

Construction	Copper-free, cast aluminum housing and door
Finish	Phoenix green thermoset powder coat
Hardware	Stainless steel external hardware
Lens	Heat-resistant, heavy duty tempered clear cover lens - standard Red and yellow accessories available
Aiming	Dual axis with full grip locking levers
Light source	Halogen - PAR64, 1000W Extended mogul end prong lamps Lamp not included
Power source	120V, 60Hz
Wiring	4 foot (1.2 m), 3-conductor SEO cord
Mounting	Copper-free, cast aluminum mounting bracket Shock mount base option available (SMB)
Weight	22.0 lb (10.0 kg)
Warranty	1 year

Contact factory for IES files

Compliances

- UL/cUL Listed to:
- UL 1598A Marine Outside Type (Saltwater)
 - UL 1598 Suitable for Wet Locations
- CSA Certified Indoor/Outdoor Type 4X
ABS



MRS 64/1000 Series

Super-rough Service Floodlight



Ordering Information

Example: MRS64/1000

Fixture

MRS64/1000

Special Projects: We may be able to accommodate your special projects, so please don't hesitate to ask about additional options. Minimum order quantities and/or extended lead times will apply. Contact your Phoenix representative with specific inquiries.

Accessories (order separately)

Wire Lens Guard

WG-4

Red Glass Cover Lens

GL-R

Yellow Glass Cover Lens

GL-Y

Shock Mount Base

SMB



*Meets the requirements of the
Buy American Act (BAA) and/or the
American Recovery and Reinvestment Act (ARRA)*

Product design and specifications are subject to change without notice. The most current version of this specification sheet can be found on our website: www.phoenixlighting.com.



Phoenix Products Company Inc. 8711 West Port Avenue Milwaukee, WI 53224 USA
Phone: +1 414.973.3300 Toll Free: 800.438.1214 Fax: +1 414.973.3210 www.phoenixlighting.com

N5431300K
10.30.15